

# INVENGO BUTTON WET INLAY



100% of real size

## Impinj Monza 5



## About Invengo's Button

The Invengo Button tags and inlays equipped with the Impinj Monza 5 are designed to enable end-users to reach and sustain high levels of performance in all global RAIN RFID (UHF) frequency regions. With a diameter of just 11 mm the Invengo Button tags and inlays are specially designed to tag items unable to tag with traditional tags and inlays in near field communication. The round form factor allows you to integrate the tag in bottle caps.



Invengo – the global RFID technology provider – is a leading developer and manufacturer of high quality, intelligent RAIN RFID and HF/NFC connectivity solutions and consumables (tags & inlays) utilized in the Internet of Things. With a focus on RFID innovation, Invengo has created a leading product line in retail, (industrial) laundry, library, (public) transportation, healthcare, and many other industries.

Invengo Technology Pte. Ltd. (SG) is the International Headquarters of Invengo Information Technology Co. Ltd, listed on Shenzhen Stock Exchange (SZSE: 002161.SZ). Employing over 600 people globally, Invengo is one of the largest publicly traded, RFID / IoT oriented companies in the world.

## Key Benefits

- High performance product for item-level tagging
- Extremely small design
- Serialized TID
- ISO 9001:2008 Quality Management System and ISO 14001:2004 Environment Management System support
- 100% Quality Tested

## Application Areas

- Retail
- Cosmetics

# Product Specifications

## RFID

<b>Protocols Supported</b>	EPCglobal C1 Gen 2, ISO/IEC18000-63
<b>Integrated Circuit (IC)</b>	Impinj Monza 5
<b>Operating Frequency</b>	840 to 960MHz
<b>EPC size</b>	128 bits
<b>TID</b>	32 bits model number and 48 bits serialized number
<b>Access password</b>	32 bits
<b>Kill password</b>	32 bits

## Environmental

<b>Operating Temperature</b>	-40°C to 85°C (-40°F to 185°F)
<b>Recommended</b>	-20°C to 77°C (-4°F to 122°F)
<b>Storage Temperature</b>	-40°C to 85°C (-40°F to 185°F)
<b>Recommended</b>	25°C (77°F)
<b>Shelf Life</b>	Min. 2 yrs from date manufacturing in 20°C (68°F) @ 50% RH
<b>Bending Diameter</b>	> 50 mm, tension max. 10 N
<b>Static Pressure</b>	<10 MPa (10 N/mm <sup>2</sup> )
<b>ESD</b>	± 2000V peak
<b>Adhesive</b>	Acrylic
<b>Data retention</b>	50 years
<b>Endurance</b>	100.000 cycles

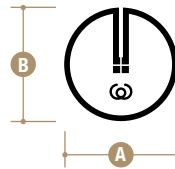
## Dimensions

<b>Antenna Size (A x B)</b>	Ø11 mm (Ø0.43 in)
<b>Web Width (E)</b>	70 mm (0.01 in)
<b>Antenna Thickness</b>	0.21mm (2.755 in)

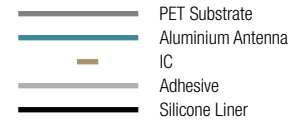
## Order Information

<b>Product code</b>	XCTF-8009-C13-FSI
<b>Packaging</b>	Carton boxes
<b>Weight</b>	0.62 kg±0.05kg/roll; 5.67 kg±0.4 kg/carton (1.36±0.11lbs/roll; 12.5±0.88lbs/carton)
<b>Quantity pc p/roll; roll p/box</b>	up to 6 rolls (60,000pcs) per corrugated carton

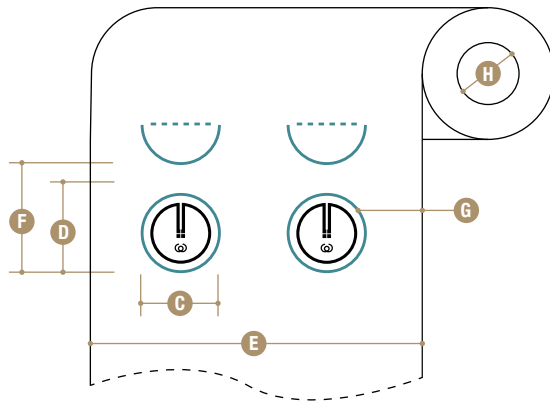
## Inlay Design



## Inlay Stackup



## Winding / Dimensions



## APAC

**Invengo Technology Pte. Ltd**  
10 Kallang Avenue  
#05-15 Tower 2, Aperia  
Singapore 339510

Office: +65 6702 3909  
sales.apac@invengo.com

## Americas

**Invengo Technology Corp.**  
2700-160 Sumner Blvd.  
Raleigh, NC 27616  
United States of America

Office: +1 919 890 0202  
sales.americas@invengo.com

## EMEA

**Invengo Technologies**  
180 Voie Ariane – Athélia 1  
13600 La Ciotat  
France

Office: +33 413 96 1111  
sales.emea@invengo.com